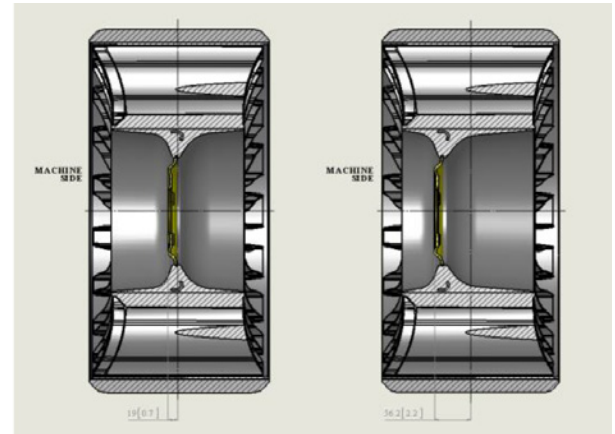
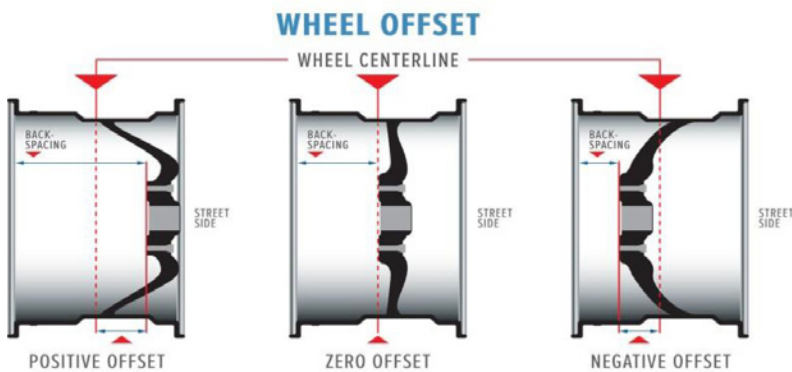


MICHELIN® X® TWEEL® AIRLESS RADIAL TIRE HOW TO MEASURE OFFSET



The offset of a wheel is the distance from the hub mounting surface to the center line of the wheel. The wheel offset, typically measured in millimeters, results in a positive, negative, or zero offset.

Zero Offset

The hub mounting surface is even with the centerline of the wheel.

Positive Offset

The hub mounting surface is located toward the outside edge of the wheel. This tucks the entire wheel in toward the brakes and vehicle suspension.

Negative Offset

The hub mounting surface is located toward the inside edge of the wheel. This moves the wheel out away from the vehicle brakes and suspension.

ACTION REQUIRED

Inspect and verify that the MICHELIN® X® TWEEL® tire and wheel assembly corresponds to the desired offset as described above.

WARNING

Incorrect mounting can lead to separation of the TWEEL from the vehicle, loss of control, serious injury or death

