

MICHELIN® X® TWEEL® TURF AIRLESS RADIAL TIRE MSPN 75935 MOUNTING INSTRUCTIONS FOR 26X12N12 XL 10X8.5 +1.7 X TWEEL TURF FOR MEAN GREEN EVO-74 ZTR MOWERS MEAN GREEN PART NUMBER: MGUPN165

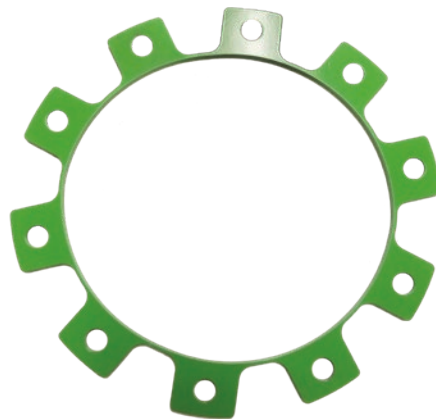


10 bolt mounting required if 10 holes are present

PARTS REQUIRED FOR ASSEMBLY (PER TWEEL)*



26x12N12 XL 10x8.5 +1.7 Tweel
(MGUPN165)



1 Outside Mounting Ring
(MGUPN438-2)

**SEE ASSEMBLY
INSTRUCTIONS ON
REVERSE SIDE**

*For motors with only 5 bolt holes, use:

- All 10 compression limiters
- 5 bolts and washers
- 1 Outside Mounting Ring



(10) Compression
Limiters
(MGHDW412)



(10) Hex head M12 x 1.5 x
50mm Bolts
(MGHDW176)

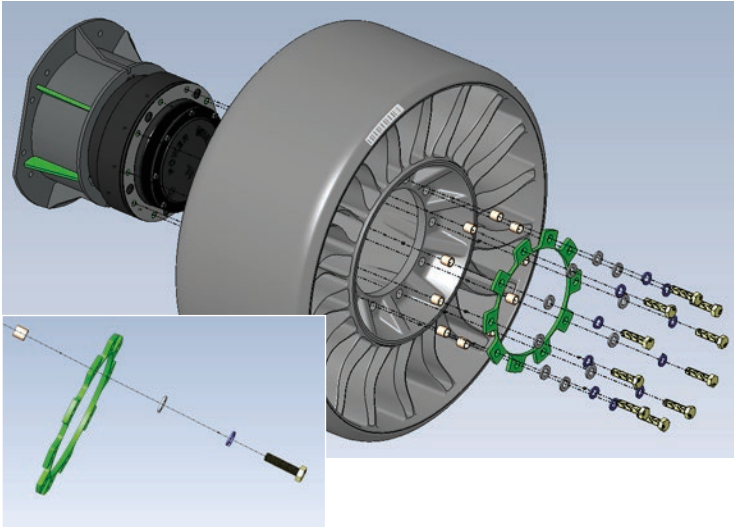


(10) M12 24mm OD
DIN 125 Flat Washers
(MGHDW231)



(10) M12 DIN 127
Split Lock Washers
(MGHDW232)

MICHELIN® X® TWEEL® TURF AIRLESS RADIAL TIRE MOUNTING INSTRUCTIONS FOR MEAN GREEN EVO MOWER



Above: Tapping in a compression limiter using a small hammer.

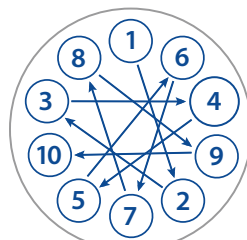
IMPORTANT REMINDERS WHEN MOUNTING THE TWEEL® TIRE

- Use personal protection equipment (safety glasses, gloves and safety shoes)
- Tools required include: small hammer, hand torque wrench with 75 ft-lb capability, 19mm socket, extension and ratchet.
- Use all parts listed above or performance maybe compromised and Tweel and/or mower warranty could be voided. If mower has only 5 bolt holes in motor hub, use 5 sets of washers and bolts (but still insert all 10 compression limiters).
- Torque bolts in a star pattern in progressive increments to 75 ft-lb (for example 25, 50, & 75 ft-lb). Do not use a pneumatic, electric or battery powered torque wrench to tighten bolts. Tweel and/or mower warranty could be voided.
- If removing Tweel from mower, ensure all parts are used to reassemble Tweel to mower. Repeat torque procedure and check after 5 and 20 hours.

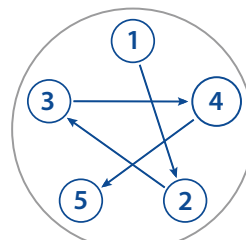
STEP BY STEP MOUNTING INSTRUCTIONS

(REFER TO PARTS LIST ON REVERSE SIDE AND EXPLODED VIEW ABOVE)

1. With personal protection equipment on, place Tweel on clean flat surface with outboard side up.
2. Verify that the 10 compression limiters are already installed in each bolt hole. If absent use a small hammer (mallet) to assist you to gently tap them in. Even if the machine has only 5 holes in the motor hub, use 10 compression limiters for improved hub rigidity. (Refer to photo above.)
3. With mower jacked up to a safe height and tire removed, place Tweel on mower with outboard (barcode) side facing outward and holes in compression limiters lined up with threaded bolt holes in Motor hub.
4. Place the outside mounting ring over the bolt holes on the outboard side of the Tweel (barcode side), lining up the holes in the outside mounting ring with the compression limiter holes.
5. Place a lock washer and flat washer over each bolt. Next, slide each bolt/washer assembly through the holes in the outside mounting ring as you screw the bolts into the threaded holes of the motor hub. Thread each bolt until hand tight. Repeat for all 10 holes using a star pattern.
6. With torque wrench set to 25 ft-lb torque bolts in a star pattern. Repeat at 50 ft-lb. Repeat at 75 ft-lb.
7. After 5 hours of use check torque of all 10 (5) bolts in a star pattern to 75 ft-lb. Repeat after 20 hours.



10-bolt star pattern



5-bolt star pattern

